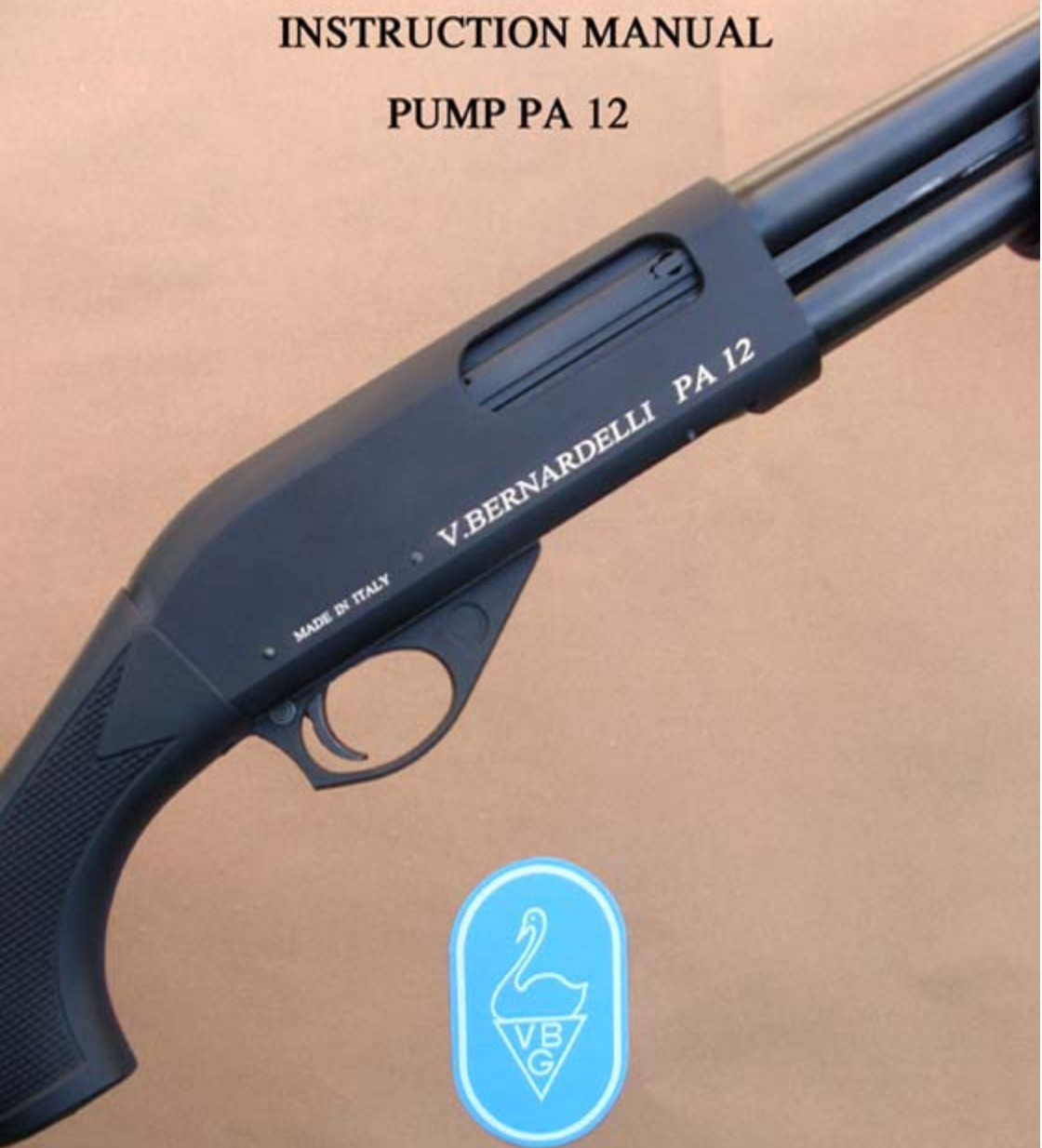


INSTRUCTION MANUAL

PUMP PA 12



V. Bernardelli

Firearms of distinction for centuries

THE MANUAL IS ENCLOSED WITH THE GUN. WHEN THE GUN IS HANDED OVER TO ANOTHER PERSON THE MANUAL MUST BE GIVEN TO THE NEW OWNER.

THE PUMP GUN HAS TWO DIFFERENT SERIAL NUMBERS: ONE ON THE RECEIVER AND ONE ON THE BARREL. ONCE THE GUN IS SOLD THE OWNER MUST DECLARE BOTH SERIAL NUMBERS.

WARRANTY AND EXTENSION WARRANTY

The warranty covers any repairing due to defective material and/or workmanship with exclusion of stock/fore end group, front sight, cosmetic finishing or damages caused by the owner's negligence. The warranty period is of 36 months from final user's acquisition. The warranty is not transferable and ends by selling the firearm.

The warranty is effective only when the original purchaser of the firearm fills in and mails the certificate to V. Bernardelli. The warranty automatically expires in case of late activation, a fact easy to check by the manufacturer.

V. BERNARDELLI INSTRUCTION MANUAL PUMP-ACTION PA 12

CONTENTS:

- Introduction.....pag. 2
- Safety rules.....pag. 3
- Pump-action shotgun description and working principle.....pag. 5
- Gun safety.....pag. 7
- How to assemble a Pump-action shotgun out of the box.....pag. 7
- How to load a Pump-action shotgun.....pag. 8
- How to unload a Pump-action shotgunpag. 8
- Gun misfiring.....pag. 9
- How to disassemble the shotgunpag. 9
- Gun reassembly.....pag. 10
- Optional.....pag. 10
- Maintenance rules.....pag. 10
- Parts list-Exploded view diagram.....pag. 12

INTRODUCTION

All firearms are potentially dangerous and lethal and are sold without any responsibility for their illegal or negligent use.

Vincenzo Bernardelli is not responsible for malfunctioning, physical injury or property damages resulting in whole or in part from (1) criminal/improper use of the firearm , (2) improper handling, (3) unauthorized modification, (4) use of improper hand ammunition, improper loading, remanufactured ammunition, (5) customer's negligence or (6) other influences out of the manufacturer's direct and immediate control.

SAFETY RULES

Firearms may cause incident very rarely. Such accidents can be caused by the wrong use of the firearm or by not following the safety rules. Each person must read the entire manual very carefully before using the firearm. Make sure that all the people who have access to the firearm read and understand the present manual before using the firearm including those who are not familiar with it.

Here are the rules for a proper use of a firearm.

- 1) READ CAREFULLY THE INSTRUCTION MANUAL, SAFETY RULES AND HANDLING SAFETY DEVICES BEFORE USE. IF YOU ARE NOT SURE, CONSULT AN EXPERT IN FIREARMS.

Incidents instruction can be avoid by knowing and applying all the safety rules included in this manual.

- 2) NEVER POINT THE MUZZLE OF THE FIREARM AT YOUR BODY, PERSON OR SOMETHING YOU DO NOT WANT TO HIT.

This is very important while loading or unloading the firearm.

- 3) ALWAYS HANDLE THE FIREARM AS IF LOADED.

Never consider the firearm unloaded without being sure of its empty chamber.

- 4) STORE THE FIREARM IN A WAY THAT CHILDREN OR INEXPERT PEOPLE CANNOT GET TO IT.

It is your responsibility to make sure children under 18 years of age or other unauthorized people cannot have access to your firearm. In order to reduce such a risk, unload your firearm, lock and store it separately from live ammunitions.

- 5) MAINTAIN YOUR FIREARM IN A PROPER WAY

Clean and oil your firearm after use and periodically. Such a proceeding will maintain your firearm efficient and prevent it from any corrosion. Make sure that the barrel is free from any obstruction before loading.

6) USE OF PROPER AMMUNITION ONLY.

Use only ammunition of the proper calibre marked on the barrel. Use only factory loaded ammunition manufactured according to CIP specifications (Europe and elsewhere) or SAAMI (U.S.A.) The use of reloaded or remanufactured ammunition can damage your firearm and injury you and people nearby. In this case you are the only responsible person.

7) NEVER TRANSPORT A LOADED FIREARM

Before carrying your firearm into a vehicle or introducing it into your house be sure it is unloaded by checking that the chamber and the magazine tube are empty.

8) AVOID ALCOHOLIC DRINKS, DRUGS AND MEDICINES THAT CAN REDUCE YOUR REACTIONS OR JUDGMENT.

Do not handle the firearm if you are not sure of your efficiency. The use of the above mentioned substances reduces your reaction times.

9) USE OF PROTECTIVE GLASSES AND EARPLUGS WHILE SHOOTING

Gunpowder or metal fragments can sometimes blow back and injure the shooter. This event might cause a severe injury including the loss of eyesight. Always wear glasses and earplugs to reduce possible damages.

10) NEVER FIRE AT WATER OR HARD SURFACES

Firing at water surface or other hard stuff increases the possibility of a bullet or shot fragmentation hitting undesired target.

11) DO NOT CLIMB TREES, FENCES OR DITCHES WITH A LOADED FIREARM

Make sure your firearm is unloaded before climbing a tree or a fence or jumping over a ditch. Never use the firearm to pull or push things or people.

12) WASH YOUR HANDS AFTER USING OF YOUR FIREARM

The use of the firearm puts the shooter in contact with lead residual, accumulation of impurities and protective oils that could damage to your health. After using the firearm, remember to wash your hands and clean yourself.

PUMP-ACTION SHOTGUN DESCRIPTION AND WORKING PRINCIPLE

Please find shotgun images and main component list



A - Butt plate

B - Stock

C - Manual safety

D - Receiver

E - Trigger group

F - Trigger

G - Breech bolt

H - Carrier

I - Safety lever

L - Magazine Tube

M - Barrel

N - Barrel fixing screw

O - Action forend



RIGHT SIDE



LEFT SIDE

GUNS SAFETY

Before using of the firearm it is necessary to exercise with the SAFETY. Remember that the firearm must be unloaded.

The **Manual safety** is located on the rear part of the **Trigger guard**. Safety is “ON” when positioned in the right part; “OFF “ when positioned in the left part and a red part is visible (fig. 1) In such a position the firearm can fire by pulling the **Trigger** deliberately or accidentally.

When the **Manual safety** is “ON” (right part) the red part is not visible (fig. 2) and the firearm cannot shoot.

HOW TO ASSEMBLE A PUMP-ACTION SHOTGUN OUT OF THE BOX

The **Barrel group** and the **Stock/Receiver/Action forend group** in a Bernardelli model PA 12 Pump-action shotgun come separate in a box.

Before carrying out any assembly operation, make sure the **Magazine tube, Barrel and Receiver** are completely empty.

Make sure the **Safety** is in the “ON” position and assemble the shotgun as follows:

- 1) The Bernardelli Pump-action shotgun normally comes with pre-fit **Cocking bar** and **Slide** and is ready to be assembled out of the box. However, should the two parts become loose while being removed from the original box, make sure **Action forend, Cocking bar, Slide** and **Breech bolt** are properly fit together, as follows:
- 2) Push the **Breech bolt** with **Slide** slightly out of the **Receiver** and place the slide tooth in its proper seat in the **Cocking rod** (fig. 3) until all parts fit together.
- 3) Pointing the **Receiver** up, move the **Action forend** down with your right hand while holding the **Cocking rod** with your left hand so as to allow the fitting of the **Slide** and, simultaneously, facilitate the fitting of the **Cocking rod** in the **Receiver** rails (fig. 4).
- 4) Insert the entire **Breech bolt-Slide** group in the **Receiver** by pushing the **Action forend** down
- 5) Still pointing the **Receiver** up, assemble the **Barrel group** by inserting the **Back extension barrel** in the **Receiver** (fig. 5).

- 6) Keep the **Barrel** slightly up with your right hand and lift the **Breech bolt** with your left thumb until it meets the **Back extension barrel** (fig. 6).
- 7) Once the parts are engaged, push the **Barrel** down and make sure the **Barrel fixing screw** fits the thread. Screw by hand (fig. 7).
- 8) To facilitate the operation, use your right hand to screw and push the **Barrel** down with your left hand.

HOW TO LOAD A PUMP-ACTION SHOTGUN

- 1) Be sure that the firearm has the **Manual safety** on (red part not visible). If not, press the **Manual safety** from left to right.
- 2) Chamber a cartridge through the **Receiver** ejection port (fig. 8).
- 3) Introduce the remaining cartridges in the **Magazine tube** one at a time (fig. 9). Make sure the rim of the last cartridge fits completely into the **Magazine tube**.

HOW TO UNLOAD A PUMP-ACTION SHOTGUN

Follow the instructions below to remove cartridges from the chamber until the **Magazine** is completely empty:

- 1) Make sure the **Safety** is in the **ON** position (the red circle must be covered). If not, push the **Manual safety** from left to right (fig.2).
- 2) Lift the **Safety lever** (fig.10). While doing so the **Action forend** connected to the **Breech bolt** will move backwards and the **Receiver slot** will be free to eject the chambered cartridge (fig.11)
- 3) By moving the **Action forend** forward again, a new cartridge will go from the **Magazine** to the **chamber**.
- 4) Repeat 2) and 3) until the **Magazine tube** is completely empty.

GUN MISFIRING

The reasons why a firearm does not fire are listed here below. Read them carefully.

1) Primer not hit

If the firearm does not fire by pulling the **Trigger** keep the gun pointed in a safe direction for 30 seconds. Be sure that the **Manual safety** is “ON” and pull back the **Breech bolt** ejecting the ammunition. The ammunition is still dangerous. Handle it with care and store it in a safe place.

2) Under-powdered ammunition

It is not frequent to find under- powdered Ammunition if new and loaded by the manufacturer.

In case of an unusual shot stop shooting because the wad or unburned powder might still be in the barrel. Proceed as follows:

Be sure that the **Manual safety** is “ON”. Unload the firearm thoroughly and check that the **Barrel** is not occluded. The wad can be easily removed. If this is not possible visit an authorized dealer.

HOW TO DISASSEMBLE THE SHOTGUN

Proceed as follows:

- 1) Make sure **chamber** and **Magazine tube** are empty.
- 2) Make sure the **Safety** is in the “ON” position (the red circle must be covered). If not, move the **Manual safety** from left to right.
- 3) Move the **Action forend** backwards
- 4) Unscrew the **Barrel fixing screw** (fig. 12).
- 5) Remove the **Barrel group** from the **Receiver** (fig. 13).
- 6) Push the **Action forend** forward until it comes out of the **Magazine tube**. This movement will cause **Slide and Breech bolt** to move forward and come out of the **Receiver** (fig.14).
- 7) Using a specific tool, push the **Trigger guard pins** out (fig.15). You will then be able to slide the **Trigger guard group** off the **Receiver** (fig.16).

GUN REASSEMBLY

Check that there are no ammunitions in the chamber of the **Barrel** and in the **Magazine tube**. Go on assembling the firearm as described in the disassembling chapter but the other way around.

OPTIONAL

Our Bernardelli PA 12 Pump-action shotgun can come with a **Folding stock** and a **Pistol grip stock** (fig.17).

MAINTENANCE RULES

The periodic cleaning and lubrication of the firearm is the best warranty for its correct functioning. **WARNING :**

- Be sure that the firearm is un-loaded
- Use the right quantity of lubricant. Too much oil might be the cause of the malfunctioning of the firearm.
- Use only homologated products.

BARREL CLEANING

After shooting the **Barrel** must always be cleaned. Use the cleaning rod making sure to eliminate combustion residues and dirt particles. Clean again the **Barrel** passing an oiled patch through it.

Check that the barrel gas ports are free. If not, use a 1,5mm line through them.

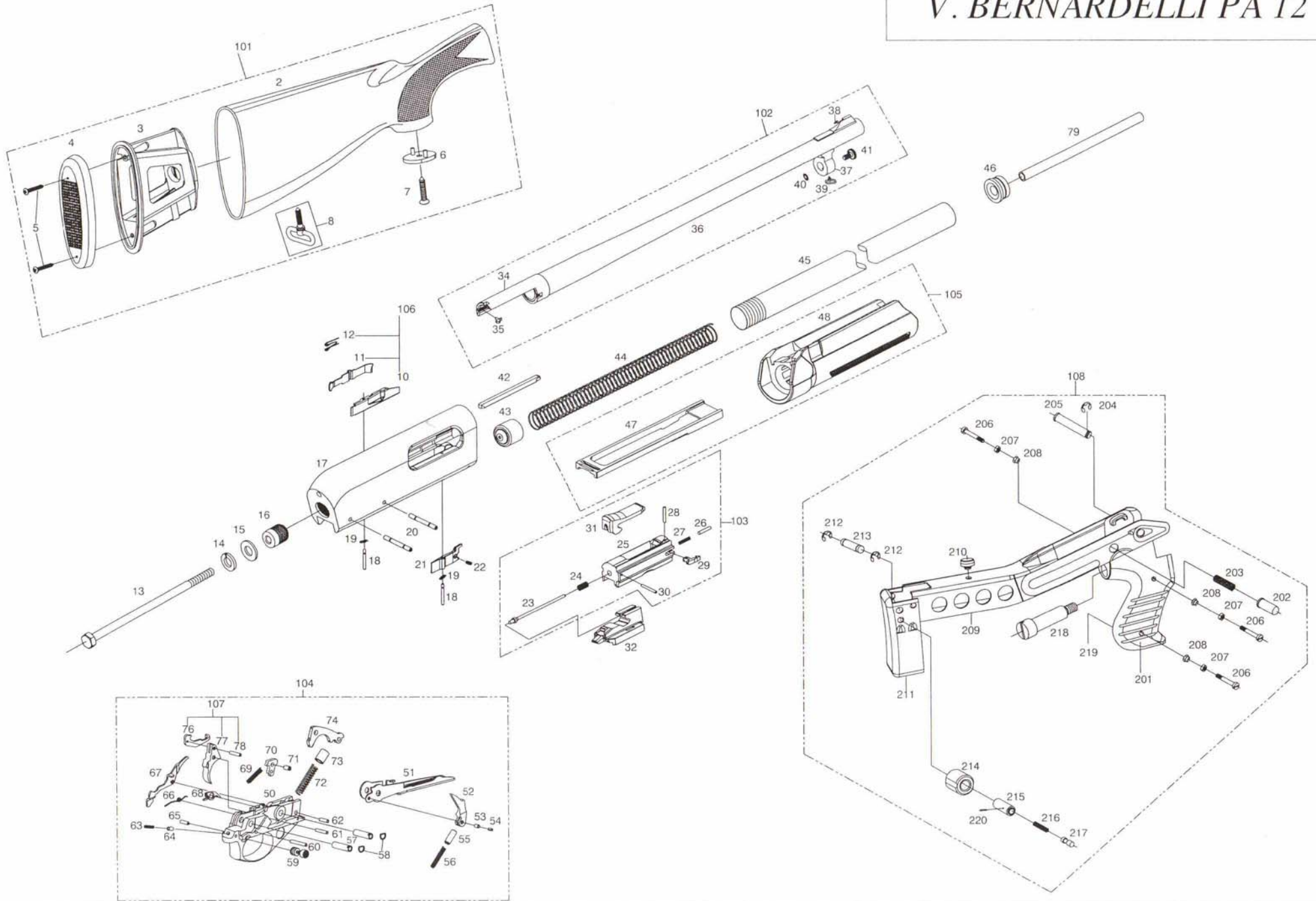
CLEANING OF COCKING ROD BREECH BOLT RECEIVER:

Combustion residues can cause the firearm malfunctioning and can deteriorate its parts. Dry them off and then oil the surfaces again by using a dedicated solvent.

SHOTGUNS PARTS LIST PUMP *V. BERNARDELLI PA 12*

2	STOCK	59	MANUAL SAFETY
3	INTERNAL INSERT	60	TRIGGER PIN
4	BUTT PLATE	61	SEAR PIN
5	BUTT PLATE SCREW	62	HAMMER PIN
6	PLASTIC GUARD	63	HAND SAFETY SPRING
7	PLASTIC GUARD FIXED SCREW	64	HAND SAFETY SPRING FOLLOWER
8	STOCK SWIVEL SCREW	65	HAND SAFETY SPRING RETAINING PIN
10	CARRIER LATCH	66	SPRING
11	AUXILIARY MAGAZINE LATCH	67	SAFETY LEVER
12	CARRIER LATCH SPRING	68	LEVER
13	STOCK SCREW FASTENING	69	SEAR SPRING
14	STOCK SCREW FASTENING WASHER	70	SEAR
15	STOCK WASHER	71	SEAR SPRING PIN
16	STOCK SCREW ADAPTER	72	HAMMER SPRING
17	RECEIVER	73	HAMMER SPRING FOLLOWER
18	LATCH PIN	74	HAMMER
19	LATCH PIN RETAINING SPRING	76	TRIGGER ARM
20	TRIGGER PLATE PIN	77	TRIGGER
21	MAGAZINE SHELL LATCH	78	TRIGGER ARM PIN
22	MAGAZINE SHELL LATCH SPRING	79	REDUCER - (optional)
23	FIRING PIN		
24	FIRING PIN SPRING	201	RIGHT PISTOL GRIP
25	BREECH BOLT	202	POSITIONNING PIN FOR FOLDING STOCK
26	EXTRACTOR PLUNGER	203	POSITIONNING PIN FOR FOLDING STOCK SPRING
27	EXTRACTOR SPRING	204	ELASTIC WASHER
28	EXTRACTOR PIN	205	PIVOT PIN FOR FOLDING STOCK
29	EXTRACTOR	206	ASSEMBLING SCREW
30	FIRING PIN SPRING STOP	207	NUT
31	LOCKING BLOCK	208	TOP
32	SLIDE	209	FOLDING STOCK
34	BACK EXTENSION BARREL	210	EXTENTION STOPPING TOP ON RECEIVER
35	MAGNUM EJECTOR	211	FOLDING BUTT PLATE
36	BARREL TUBE	212	ELASTIC WASHER
37	RING FOR MAGAZINE TUBE	213	PIVOT PIN FOR FOLDING BUTT PLATE
38	BARREL SIGHT	214	SAFETY CYLINDER
39	BARREL SWIVEL SCREW	215	SPRING CAP
40	STOCK ELASTIC WASHER	216	POSITIONNING PIN FOR BUTT PLATE SPRING
41	SCREW RETAINING	217	POSITIONNING PIN FOR BUTT PLATE
42	LOCKING BLOCK SHOE	218	CONNECTION ROD FOR PISTOL GRIP
43	MAGAZINE FOLLOWER	219	LEFT PISTOL GRIP
44	MAGAZINE SPRING	220	ELASTIC PIN
45	MAGAZINE TUBE		
46	BARREL FIXING SCREW	101	STOCK ASSEMBLY
47	COCKING ROD	102	BARREL ASSEMBLY
48	ACTION FOREND	103	BREECH BOLT ASSEMBLY
50	TRIGGER GUARD	104	TRIGGER GROUP ASSEMBLY
51	CARRIER	105	ACTION FORE-END - COCKING ROD GROUP
52	BREECH BLOCK LATCH	106	CARRIER LATCH ASSEMBLY
53	BREECH BLOCK LATCH PIN	107	TRIGGER ASSEMBLY
54	BREECH BLOCK LATCH INTERNAL PIN	108	FOLDING STOCK COMPLETE
55	BREECH BLOCK LATCH SPRING FOLLOWER		
56	CARRIER SPRING		
57	TRIGGER GUARD PIN BUSHING		
58	TRIGGER GUARD PIN BUSHING SPRING		

EXPLODED DIAGRAM PUMP V. BERNARDELLI PA 12





STANDARD STOCK



FOLDING STOCK



17



PISTOL GRIP



Firearms of Distinction
for Centuries

25030 Torbole Casaglia (Brescia) ITALY - Via Grandi, 10
tel. +39 030 2151094 - fax +39 030 2150963

www.bernardelli.com - e-mail: bernardelli@bernardelli.com